



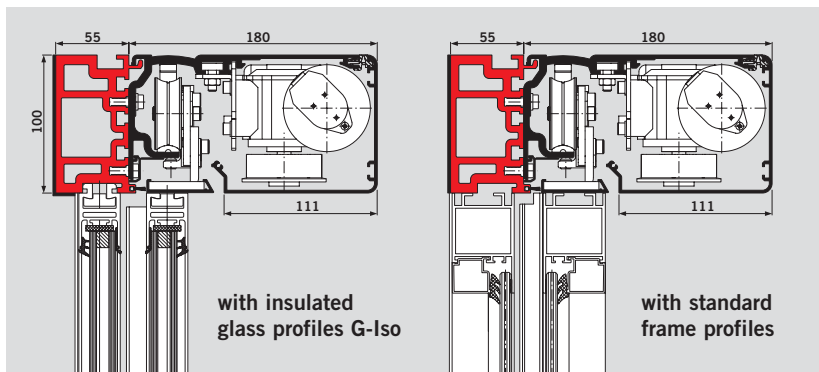
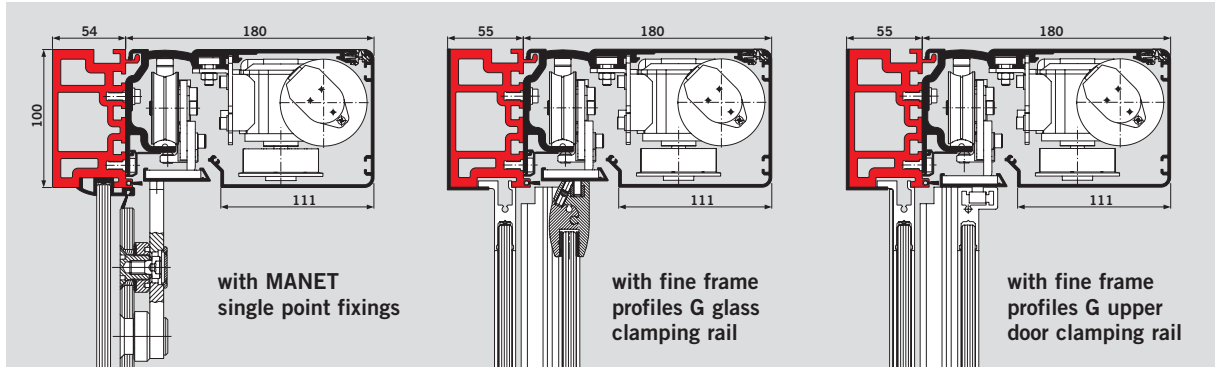
Sliding door operator
Economy

DORMA ES 200 *Easy*



ES 200 Easy – the drive for individual door design

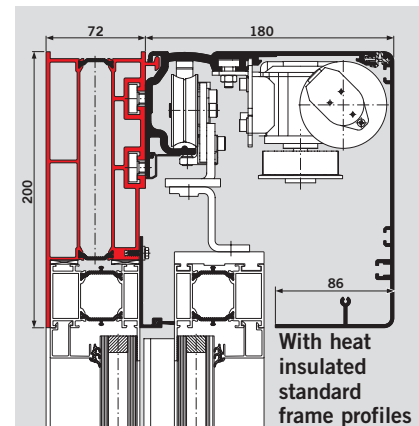
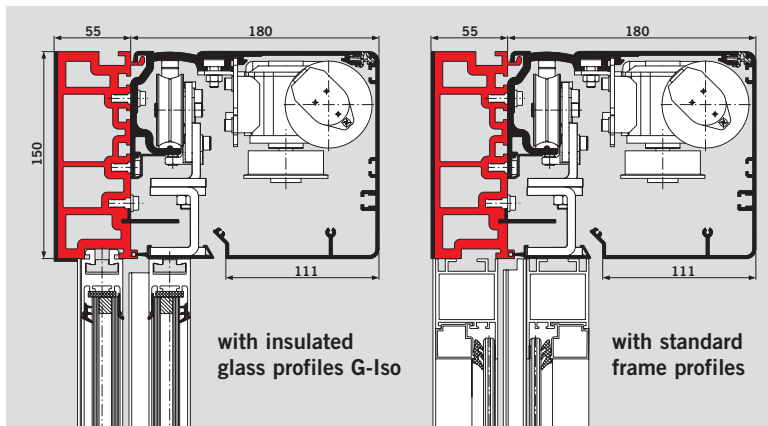
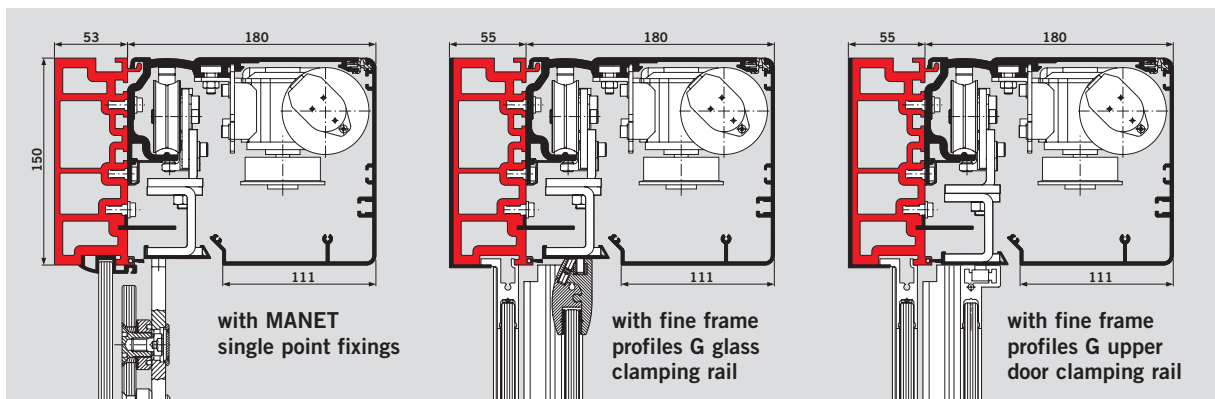
Door variants with ES 200 Easy, 100 mm height



The door variants on this page are shown as corridor installation with LM rail.

See page 4 for profiles for wall fixing

Door variants with ES 200 Easy, 150 mm height and special version "heat insulated profile R-Thermo"



Flexible, simple and modular

It is time to rethink sliding door operators.

The new **ES 200 Easy** in the attractive DORMA design stands for simple automation of sliding door units in all areas of application.

It is the innovative drive system for door units up to 2 x 100 kg, is of modular construction with world-wide tried and trusted electronics and new mechanics comprising only a few components and can be used for both 100 and 150 mm height.

The prefabricated **mini drive unit** is also impressive; it is tested industrially with all the necessary electrical and electronic components.

The optimum solution for all customers who value simply assembly, low storage costs and ease of maintenance.

High quality, excellent cost-effectiveness

DORMA offers a particularly cost-effective sliding door operator in the tried and trusted DORMA quality with the new **ES 200 Easy**. The basic version of the ES 200 sliding door operator is suitable for vastly differing applications and can be combined with all customary door profiles. It offers a number of adjustment possibilities, has excellent operation characteristics and is easy to maintain.

The self-learning microprocessor controller guarantees reliable operation, ensures dynamic and smooth movements and fulfils the highest safety requirements according to all European and German standards.

The setting of all parameters is carried out quickly and easily via an integrated display with push-buttons. Operation is extremely simply and menu-assisted. Additional programming equipment is not required.

DORMA supplies, as the optimum supplement, program switches and pulse senders as well as door profiles specially matched to the drive.

Features and advantages at a glance:

- Modular, flexible system
- For door units up to 2 x 100 kg
- Problem-free adaptation to individual requirements
- Low number of system components
- Industrially prefabricated and tested **mini drive unit**
- Easy assembly of drive systems
- Multi-functional control, commissioning without programming equipment
- Easy fixing and commissioning
- Can be combined with all customary door profiles
- Reliable function and high safety standards
- Smooth movement
- Complete program at program switches
- Numerous standard connections
- Reliable investment due to compliance with all relevant European standards

Door parameters	ES 200 Easy
1-panel sliding door	
- Transit width LW	700 – 3000 mm
- Door panel weight, max.	1 x 100 kg
2-panel sliding door	
- Transit width LW	800 – 3000 mm
- Door panel weight, max.	2 x 100 kg

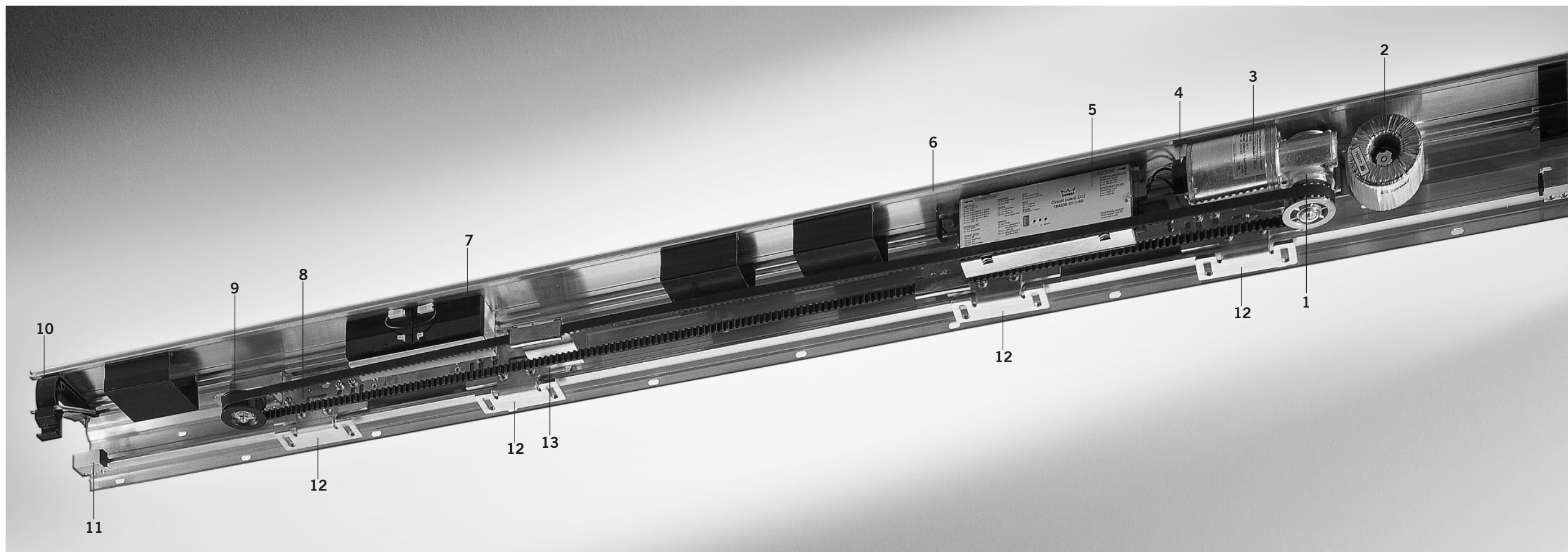
Technical data	
Height	100 und 150 mm
Depth	180 mm
Opening and closing force max. 150 N	●
Opening speed (incremental setting)	10 – 50 cm/s
Closing speed (incremental setting)	10 – 40 cm/s
Hold-open time	0,5 – 30 sec.
Mains voltage, frequency	230 V, 50/60 Hz
Power consumption	180 W
International protection	IP 20
Tested according to low-voltage guidelines	●
Manufacture according to ISO 9001:2000	●

- standard
- optional

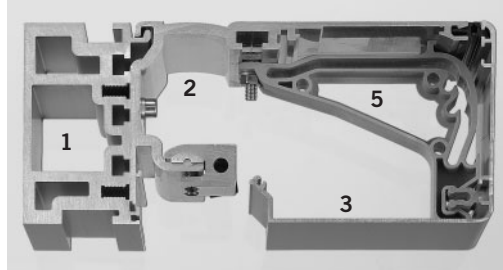
Control unit	
Microprocessor controller	●
Functional programs	
- Off	●
- Automatic	●
- Permanent open	●
- Partial open	●
- Exit only	●
- Night-bank switch	●
Emergency off	●
Self-learning	●
Automatic reversing	●
Connection for bistable electro-mechanical locking	●
Connection for light barriers (max. 2 pairs)	●
Setting of basic parameters via integrated display and push-buttons	●
Emergency opening or closing (with use of battery pack)	●
24 V output for external consumption	●
Read-out error store with error codes	●

Additional equipment	
Electro-mechanical locking (bistable)	○
Manual unlocking for electro-mechanical locking	○
Light barriers	○
Battery pack (emergency opening, emergency closing)	○
Emergency power module USV	○
Module for coupling to EIB buildings control systems	○

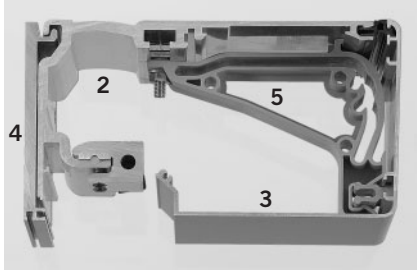




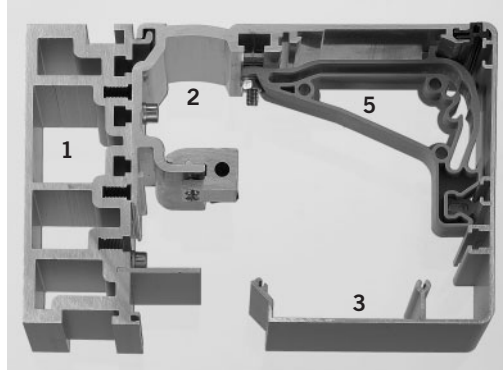
Profiles for corridor installation, 100 mm



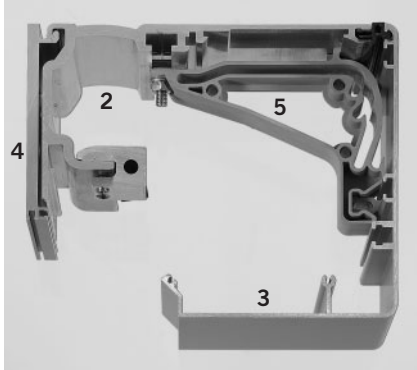
Profiles for wall fixing, 100 mm



Profiles for corridor installation, 150 mm



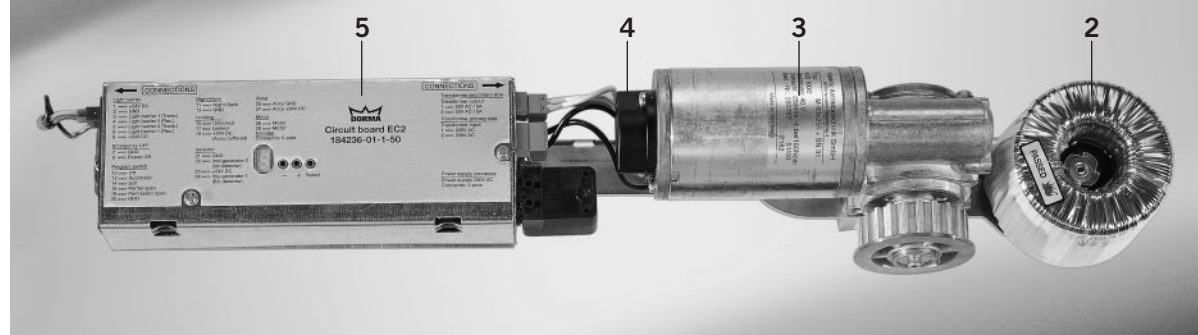
Profiles for wall fixing, 150 mm



Profile for 100 mm and 150 mm height, for corridor or wall fixing guarantees adaptation for all possible applications. The mechanical basic system, with a low number of components, is the same for both heights.

- 1 LM rail
- 2 Basic drive profile
- 3 Interior cover in 100 or 150 mm height
- 4 Wall fixing profile
- 5 Service cover holder

Mini drive unit



The heart of the **ES 200 Easy**: the prefabricated **mini drive unit** with all the electrical components necessary is industrially tested and facilitates the assembly and maintenance of drive units.

The control system is based on the tried and trusted EC2 system which has proven itself thousands of times world-wide in all possible applications.

Components

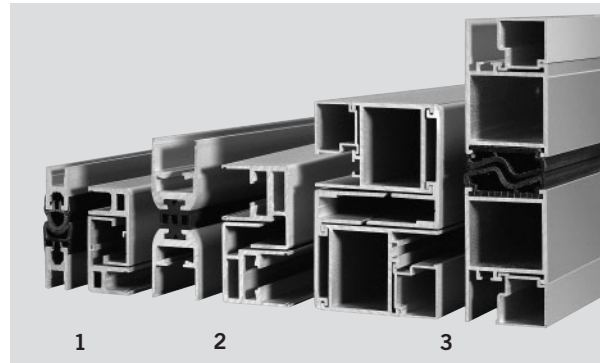
- | | |
|--------------------------------|---|
| 1 Mini drive unit | 8 Carriage |
| 2 Transformer | 9 Deflection roller |
| 3 Motor | 10 Service cover holder |
| 4 Decoder | 11 End stopper |
| 5 Control unit EC2 | 12 Door suspension with adjustment device |
| 6 Run and installation profile | 13 Belt connection |
| 7 Battery pack (optional) | |

Door profiles

DORMA supplies door profile for doors in full-glass and for framed doors as the optimum addition to the **ES 200 Easy**.

MANET single point fixings and a glass clamping strip complement the program.

- 1 Fine frame profile system G
- 2 Insulated glass profile system G-Iso
- 3 Standard frame profile



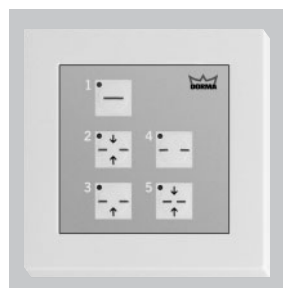
System accessories



Program switch to select the operating mode of DORMA automatic doors.

- Up to 5 different functions: Off, Automatic, Exit, Partial open, Permanent open
- Electronic program switch in design system 55 for the highest aesthetic demands
- Material variants for frames from polished steel, abrasive blasted silk-mat stainless steel, aluminium and brass to glass, ebony or terracotta

- Also lockable by key or electronic code
- For internal or external installation as well as flush-mounted or surface-type installation



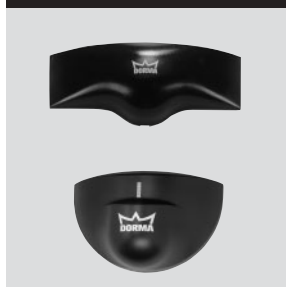
Program switch system 55

Push-button and switch: Electric, pneumatic or by radio.

- To open and close DORMA automatic doors
- Via key or manually by switch or touch
- For a variety of installation situations: flush or surface mounted or in the case

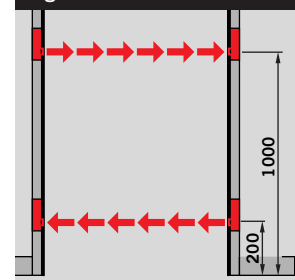
The widely diversified automatic system accessories from DORMA are complemented by further components which are specially matched to various safety measures.

Radar motion detectors



- Directional sensitive, standard version
- Directional non-sensitive
- Radar detector for any combination
- No effect on pacemakers due to the low output, approx. 2 mW

Light barriers



- According to the counter-light principle
- Additional securing of locking area, installation 200 and 1000 mm above floor level

Automatic division worldwide

DORMA GmbH + Co. KG
Breckerfelder Str. 42-48
D-58256 Ennepetal
Phone +49 23 33/793-0
Fax +49 23 33/793-495

Region Australia

AUS, NZ
 Australia
 DORMA BWN Automatics Pty. Ltd.
 Phone +61 3 97964111
 www.dorma.com.au
 New Zealand
 DORMA BWN Automatics Pty. Ltd.
 Phone +61 3 97964111
 www.dorma.com.au

Region Central Europe

D, NL, B, LX, CH
 Germany
 Automatic D
 Phone +49 2333 793-0
 www.dorma.de
 Netherlands
 DORMA van Duin Nederland BV
 Phone +31 344 640640
 www.dorma.be/en
 Belgium
 DORMA Foquin N.V./S.A.
 Phone +32 50 451570
 www.dorma.be/en
 Luxembourg
 Luxembourg Subsidiary Automatic
 Phone +49 2333 793-216
 www.dorma.de
 Switzerland
 DORMA Turautomatik AG
 Phone +41 71 8864646
 www.dorma.ch

Region Emerging Markets

P, RUS, UA, BG, GR, TR, IND, IL, RSA
 Poland
 DORMA Polska Sp. z o.o.
 Phone +48 22 8238809
 www.dorma.pl
 Russia
 Representative Office in Russia
 Phone +7 095 2581225
 www.dorma.com
 Ukraine
 DORMA Representation Ukraine
 Phone +380 44 2443897
 www.dorma.com
 Bulgaria
 ALU KÖNIG STAHL EOOD
 Phone +359 2 9807889
 www.dorma.com
 Greece
 DORMA Representation Greece
 Phone: +30 21 09944388
 www.dorma.com
 Turkey
 DORMA Kapi Kontrolleri Ltd. Sti
 Phone: +90 216 3600056
 www.dorma.com
 India
 DORMA Door Controls India
 Phone +91 442 8585097
 www.dorma.com
 Israel
 DORMA GmbH + Co. KG
 Phone +49 2333 793-0
 www.dorma.com
 South Afrika
 DORMA Door Controls (Pty.) Ltd
 Phone +27 11 8300280
 www.dorma.com

Region Far East

SGP, HK, VRC, RC, MAL, RI, RP, ROK, VN, J
 Singapore
 DORMA Emerald Entrance Systems Pte Ltd
 Phone +65 459 5733
 www.dorma.com.sg
 Hong Kong
 DORMA Door Controls Pte. Ltd.
 Phone +852 25034632
 www.dorma.com.sg

China
 DORMA Door Controls (Suzhou) Co. Ltd.
 Phone +86 512 676 12481
 www.dorma.com.sg
 Taiwan
 DORMA Door Controls Pte. Ltd.
 Phone +886 2 9182987
 www.dorma.com.sg

Malaysia
 DORMA Emerald Entrance Systems Pte Ltd
 Phone +65 459 5733
 www.dorma.com.sg

Indonesia
 DORMA Emerald Entrance Systems Pte Ltd
 Phone +65 459 5733
 www.dorma.com.sg

South Korea
 DORMA Emerald Entrance Systems Pte Ltd
 Phone +65 459 5733
 www.dorma.com.sg

Philippines
 DORMA Door Controls Pte. Ltd.
 Phone +632 893 40778
 www.dorma.com.sg

Vietnam
 DORMA Emerald Entrance Systems Pte Ltd
 Phone +65 459 5733
 www.dorma.com.sg

Japan
 DORMA Emerald Entrance Systems Pte Ltd
 Phone +65 459 5733
 www.dorma.com.sg

Region France

F
 France
 DORMA Accueil S. A. S.
 Phone +33 4 79348924
 www.dorma.fr

Region Gulf

GCC Golf Cooperation Council (Bahrain, Kuwait, Oman, Qatar, Saudi Arabia and United Arab Emirates),
 ET, JOR, LB
 DORMA Gulf Door Controls FZE
 Phone +971 48 839014
 www.dorma.com
 Egypt
 Phone: +971 48 839014
 www.dorma.com
 Jordan
 Phone +971 48 839014
 www.dorma.com
 Libanon
 Phone +971 48 839014
 www.dorma.com

Region North America

USA, CDN, MEX
 USA
 DORMA Automatics Inc.
 Phone +1 301 390-3600
 www.dorma-usa.com

Canada
 DORMA Door Controls
 Phone +1 905 6701281
 www.dorma.com

Mexico
 DORMA México, S. de R.L. de C.V.
 Phone +52 55 5272 6937
 www.dorma.com

Region Scanbalt

N, S, DK, FIN, LV, EST, LT
 Norway
 DORMA Norge AS
 Phone +47 23 176800
 www.dorma.no
 Sweden
 DORMA Sverige AB
 Phone +46 31 289520
 www.dorma.se

Denmark
 DORMA Danmark A/S
 Phone +45 44 943077
 www.dorma.com

Finland
 DORMA Finland Oy
 Phone +358 9 8789130
 www.dorma.fi

Latvia
 DORMA Finland Oy
 Phone +358 9 8789130
 www.dorma.fi

Estonia
 DORMA Representation Estonia
 Phone +372 6707064
 www.dorma.com

Lithuania
 DORMA Norge AS
 Phone +47 23 176800
 www.dorma.com

Region South America

BR, RA
 Brazil
 DORMA Sistemas de Controles
 Phone +55 11 41913244
 www.dorma.com.br

Argentina
 DORMA Sistemas de Controles para Portas Ltda
 Phone +54 11 45051032
 www.dorma.com

Region South-East Europe

A, H, CZ, CS, HR, SLO, RO
 Austria
 DORMA AKS Automatic GmbH
 Phone +43 6225 8636-0
 www.dorma.at

Hungary
 DORMA AKS Automatic GmbH
 Phone +36 1 2065127 or 2058058
 www.dorma.com

Czech Republik
 DORMA dverní technika CR, s.r.o.
 Phone +420 2 671321-78 or -79
 www.dorma.com

Slovakia
 DORMA Slovensko spol. s.r.o.
 Phone +421 2 50221 283
 www.dorma.com

Croatia
 DORMA Representation Croatia
 Phone +385 1 2305040
 www.dorma.com

Slovenia
 DORMA Representation Slovenia
 Phone +386 2 530 20 10
 www.dorma.com

Romania
 DORMA Representation Romania
 Phone +40 2 13 30 05 68
 www.dorma.com

Region South Europe

I, E, P
 Italy
 DORMA Italiana S.r.l.
 Phone: +30 039 244031
 www.dorma.it

Spain
 DORMA Ibérica, S.A.
 Phone +34 91 8757851
 www.dorma.es

Portugal
 DORMA Portugal para Portas, Lda.
 Phone +351 252 860 490
 www.dorma.com

Region UK/Ireland

GB, IRL
 Great Britain
 DORMA UK Limited
 Phone +44 1462 477600
 www.dorma-uk.co.uk

Ireland
 DORMA Ireland Limited
 Phone +353 1 295 8280
 www.dorma.com

www.dorma.com

Door Control

Automatic

Glass Fittings and Accessories

Security/ Time and Access (STA)

Movable Walls

