



Door Closer

DORMA TS 68

The ideal low-cost solution for standard doors

With the TS 68, DORMA has developed a low-cost door closer which can be universally used on all common door types. It is particularly quick and easy to install – and does not require a mounting backplate.

The closer arm's power shoe and changes in templating allow easy selection of the closing force to suit various door sizes.



Quality assured manufacture to DIN ISO 9001, EN 29001, BS 5750. Certified and verified by BSI Quality Assurance Reg. No. Q 6423, FM 10756

Plus points

For the trade

- The low cost solution for standard doors.
- Just one model for all mounting positions.

For the installer

- Non-handed unit.
- Quick and easy to install.
- Fixes perfectly to all door types without the need for a mounting backplate.

For the specifier/architect

- Compact design.
- Inexpensive, proven reliability.

For the user

- Closing cycle largely unaffected by temperature changes.
- Two valves for optimum closing speed and reliable latching action.

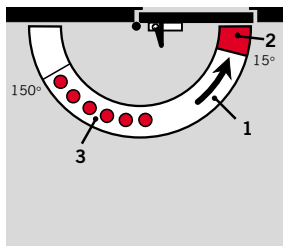
Data and features

TS 68

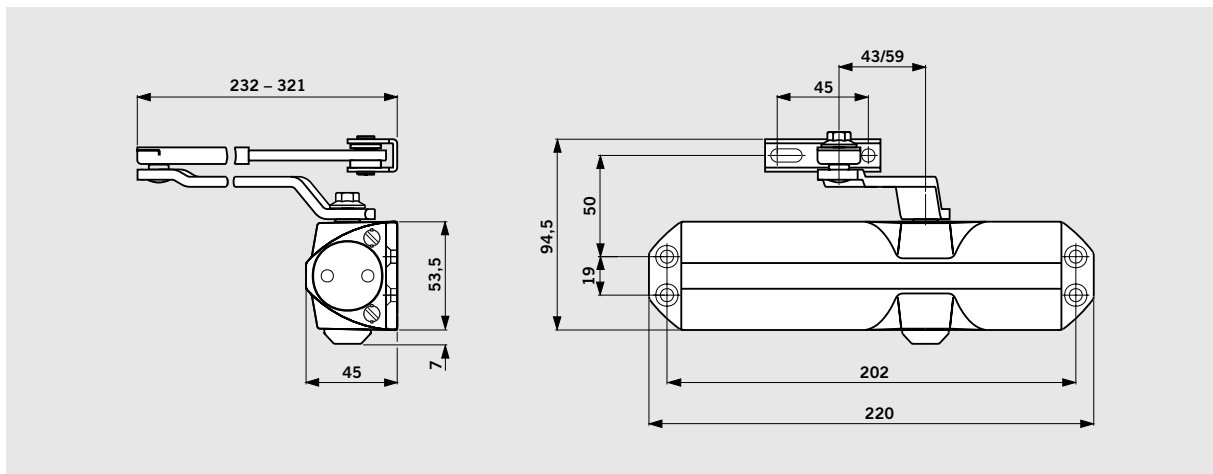
Selectable closing force (variable via arm power shoe and templating)	Size	EN 2/3/4
Door width	≤ 1100 mm	•
External doors, outward opening		–
Non-handed		•
Arm	Slimline	•
	Slide channel	–
Closing speed adjustable via 2 independent valves	180° – 15°	•
	15° – 0°	
Backcheck		–
Delayed action		–
Hold-open		○
Weight in kg		1.4
Dimensions in mm	Length	220
	Overall depth	45
	Height	53.5

• Yes – no ○ option

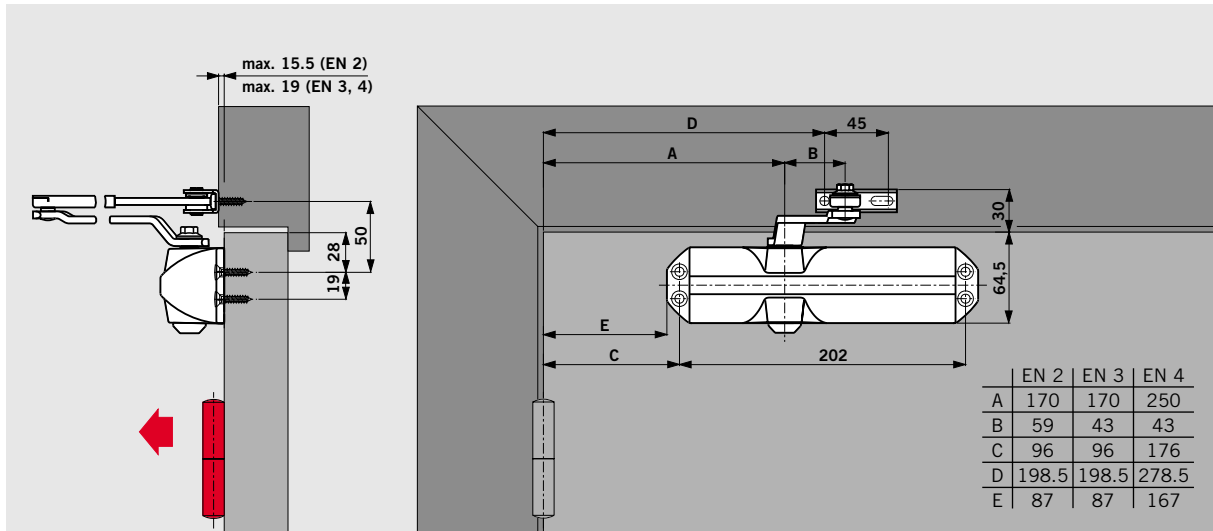
Standard and optional functions



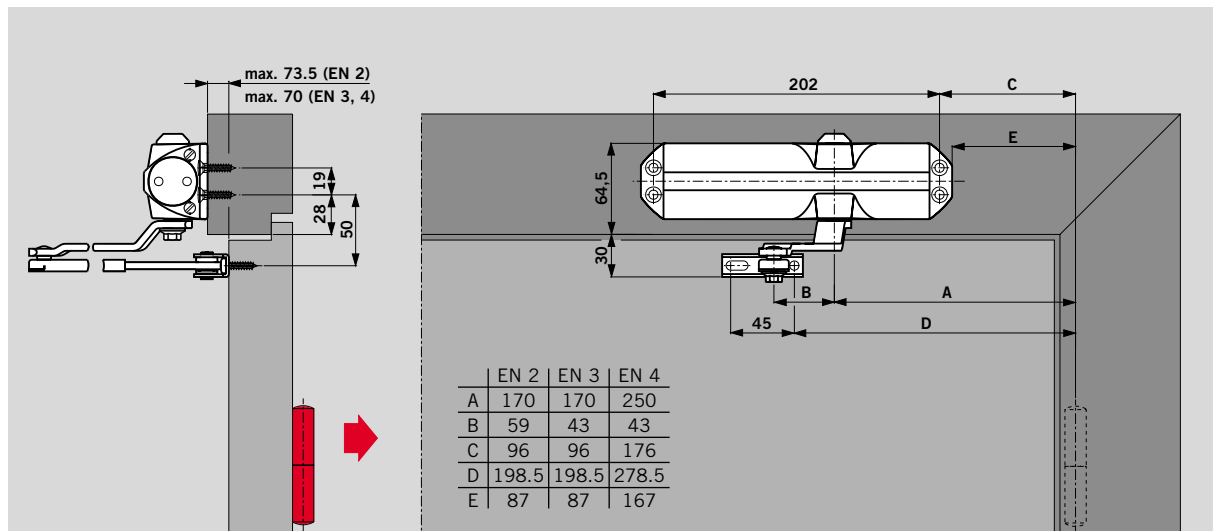
- 1 Adjustable closing speed in the range 180° – 15°.
- 2 Adjustable closing speed in the range 15° – 0°.
- 3 Hold-open range with hold-open arm model (optional extra).



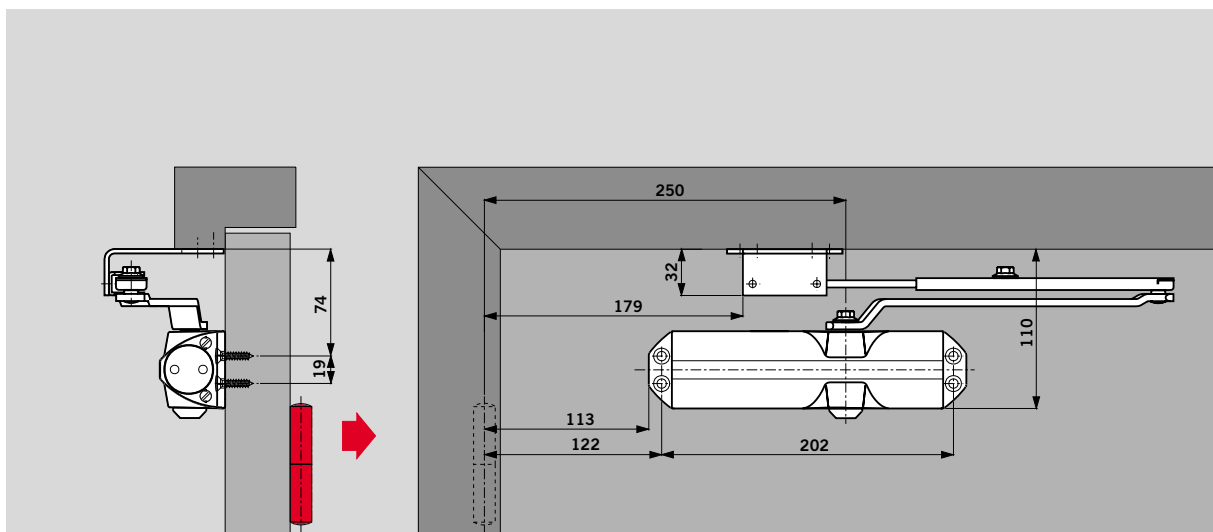
Door-leaf fixing, pull side



Frame fixing, push side



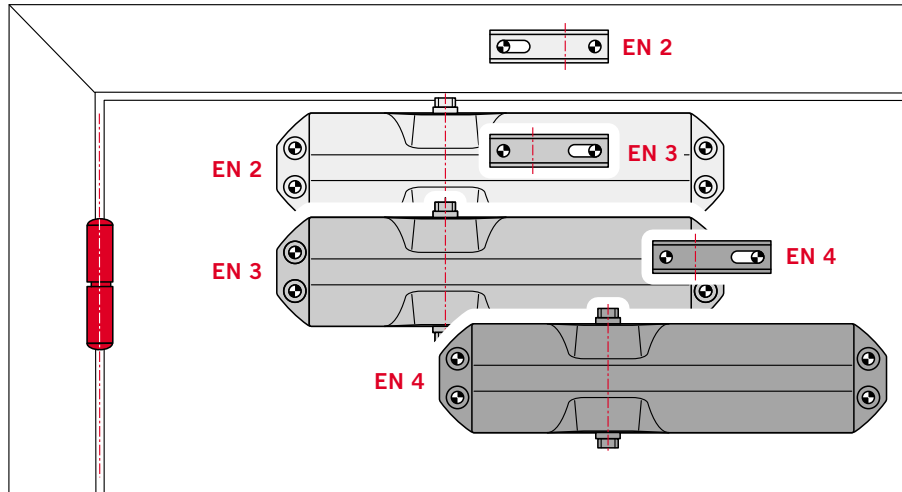
Parallel arm fixing, push side



Closing force settings

Door width	Size setting
≤ 850	EN 2
≤ 950	EN 3
≤ 1100	EN 4

The TS 68's size setting is selected for the door width by moving the closer body and/or turning the arm power shoe.



Standard equipment and accessories

Colour	xx
silver	01
brass	02
dark brown	03
white	11

Door closer TS 68 	Standard arm 	Hold-open arm 	Parallel arm bracket 280066xx
Size EN 2/3/4 	 664001xx	 664002xx	#

Order-Number: = Closer with arm, complete
 # = Accessory

Specification text

Rack-and-pinion door closer with selectable closing force, size EN 2, 3 and 4; adjustable closing speed in two independent ranges. Non-handed.

- Colour**
- silver
 - dark brown
 - brass
 - white (similar to RAL 9016)

- Model**
- with standard arm
 - with hold-open

Make DORMA TS 68

Subject to change without notice

DORMA GmbH + Co. KG
 Postfach 4009
 D-58247 Ennepetal
 Tel. + 49 (0) 23 33/7 93-0
 Fax + 49 (0) 23 33/79 34 95
 www.dorma.com